

Domite 700BHN Wear Products

Domite is a combination of high chromium white iron metallurgically bonded to a mild steel backing plate. The white iron has a minimum hardness of 700 Brinell (63Rc) providing maximum abrasion resistance protection for your equipment.

Domite is available in a wide range of shapes and sizes and can be used in combination to protect any impact and high abrasion areas.

DOMITE



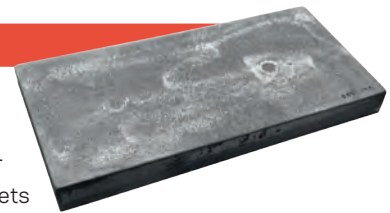
CHOCKY BLOCKS

For almost any application where abrasive wear is causing lost production through machine down time.



WEAR PLATES

Easy to install, with the ability to change out worn sections only rather than replacing whole sheets or plates.



WEAR BARS

Easy to install, with the ability to change out worn sections only rather than replacing whole sheets or plates.



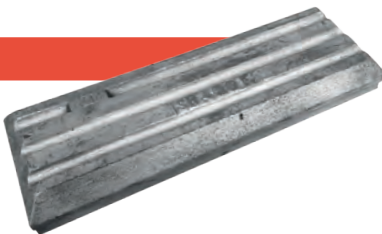
KNIVES

Offers sharp edges at the start of use and retain their edge sharpness and cutting efficiency longer than hard facing.



SKID BARS

Designed to protect and extend the life of mining and quarrying heavy duty buckets.



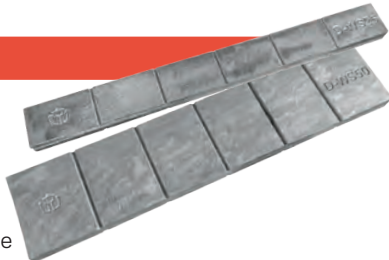
WEAR BUTTONS & DONUTS

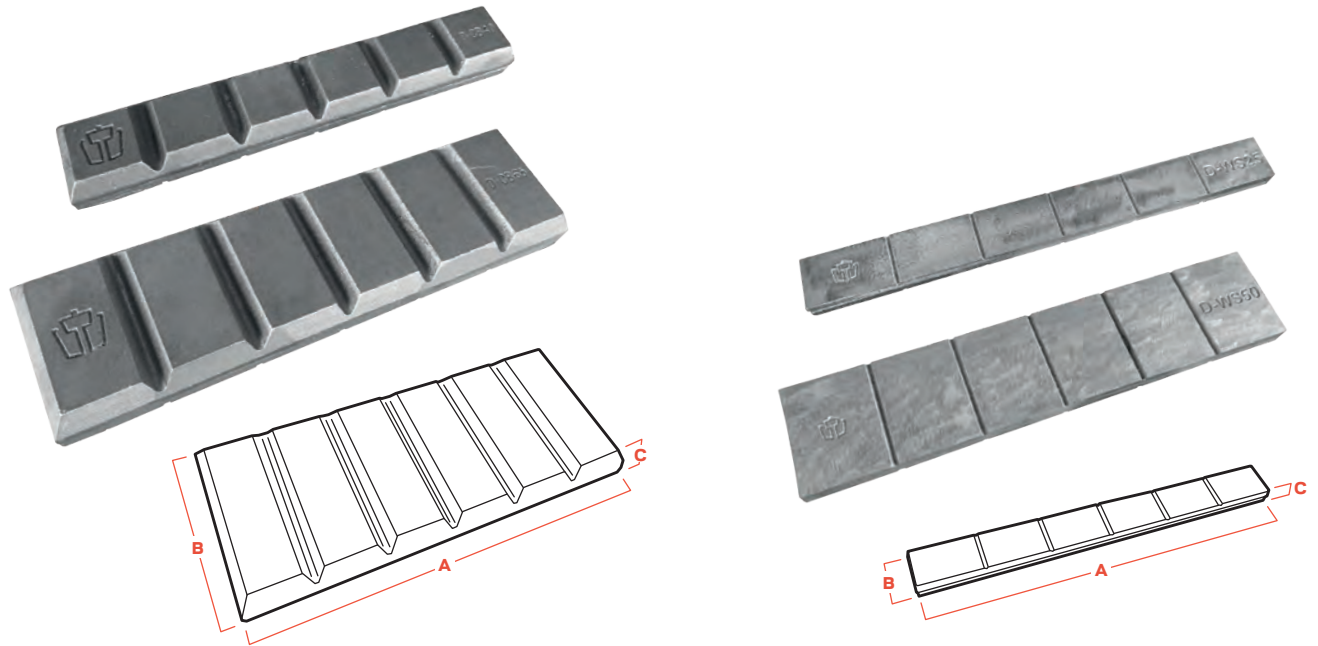
Perfect alternative to expensive, labour intensive hard facing. Light weight and easy to handle, ideal for in situ repairs.



WAFER STRIPS

Thin and lighter than chocky bars with superior wear and impact resistance than chrome clad plate and hard facing.





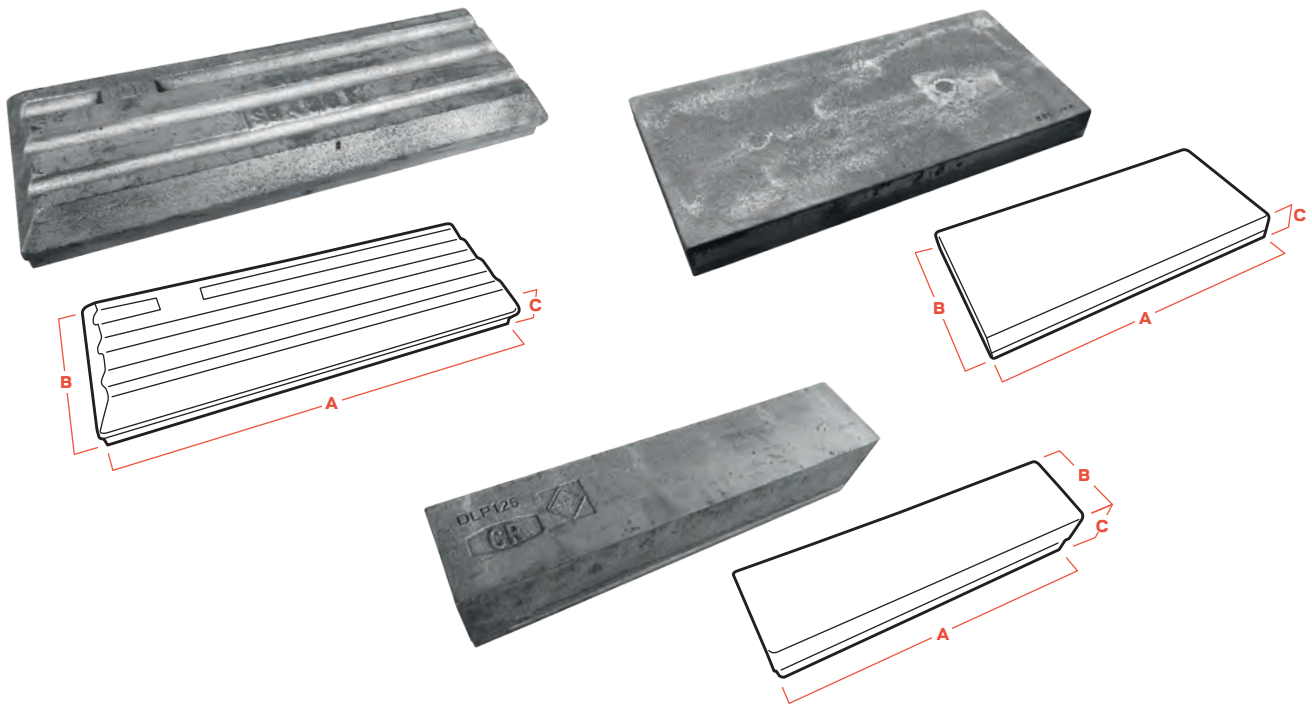
Chocky Blocks

PRODUCT	PART NUMBER	WEIGHT (KG)	A	B	C
			LENGTH	WIDTH	HEIGHT
25mm Chocky Block	D-CB25	0.9	240	25	23
40mm Chocky Block	D-CB40	1.4	240	40	23
50mm Chocky Block	D-CB50	1.9	240	50	23
65mm Chocky Block	D-CB65	2.4	240	65	23
100mm Chocky Block	D-CB100	4.3	240	100	23

Wafer Strips

PRODUCT	PART NUMBER	WEIGHT (KG)	A	B	C
			LENGTH	WIDTH	HEIGHT
Wafer Strip 25mm	D-WS25	0.6	240	25	12
Wafer Strip 40mm	D-WS40	0.9	240	40	12
Wafer Strip 50mm	D-WS50	1.2	240	50	12

All measurements in millimetres.



Skid Bars

PRODUCT	PART NUMBER	WEIGHT (KG)	A LENGTH	B WIDTH	C HEIGHT
Skid Bar – Rectangular	D-SB406	7.3	302	101	34
Skid Bar – Rectangular	D-SB409	3.7	154	101	34

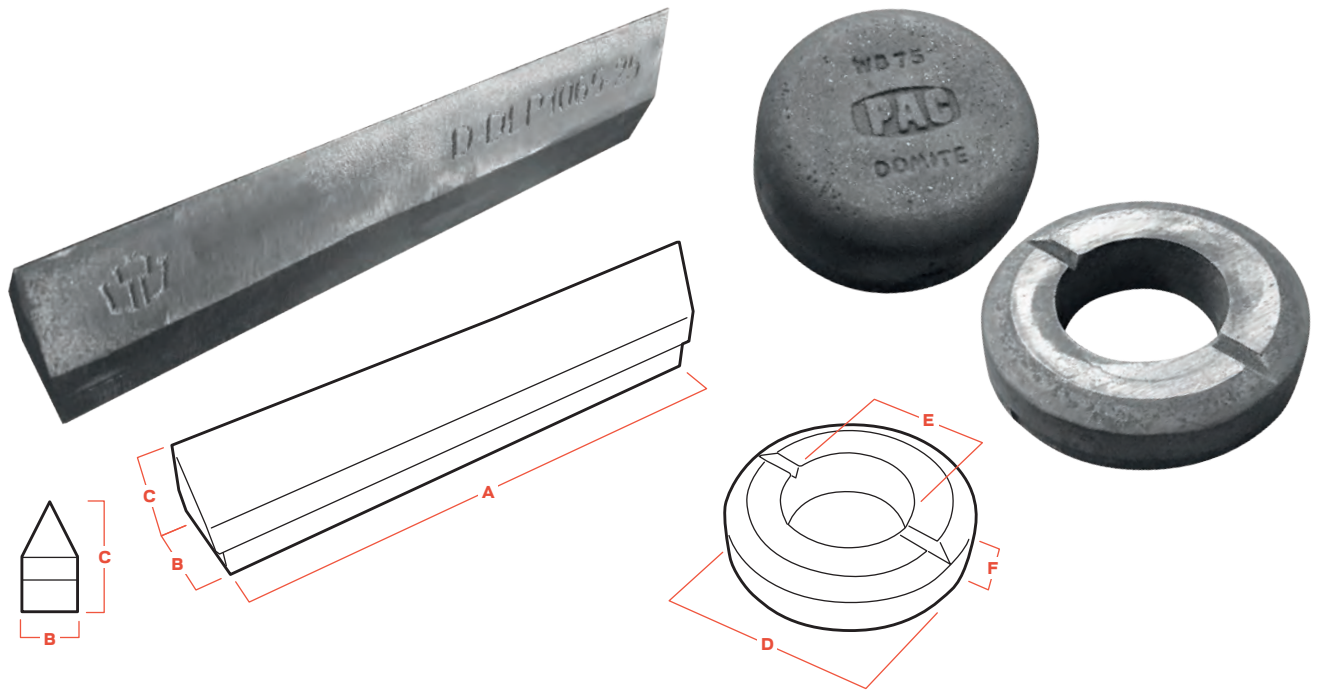
Wear Bars

PRODUCT	PART NUMBER	WEIGHT (KG)	A LENGTH	B WIDTH	C HEIGHT
Wear Bar 230 x 50 x 50	D-DLP125	4.5	230	50	50
Wear Bar 432 x 50 x 50	D-DLP201A	8.5	432	50	50

Wear Plates

PRODUCT	PART NUMBER	WEIGHT (KG)	A LENGTH	B WIDTH	C HEIGHT
Wear Plate – Rectangular	D-DLP995	8.6	305	150	26

All measurements in millimetres.



Knives

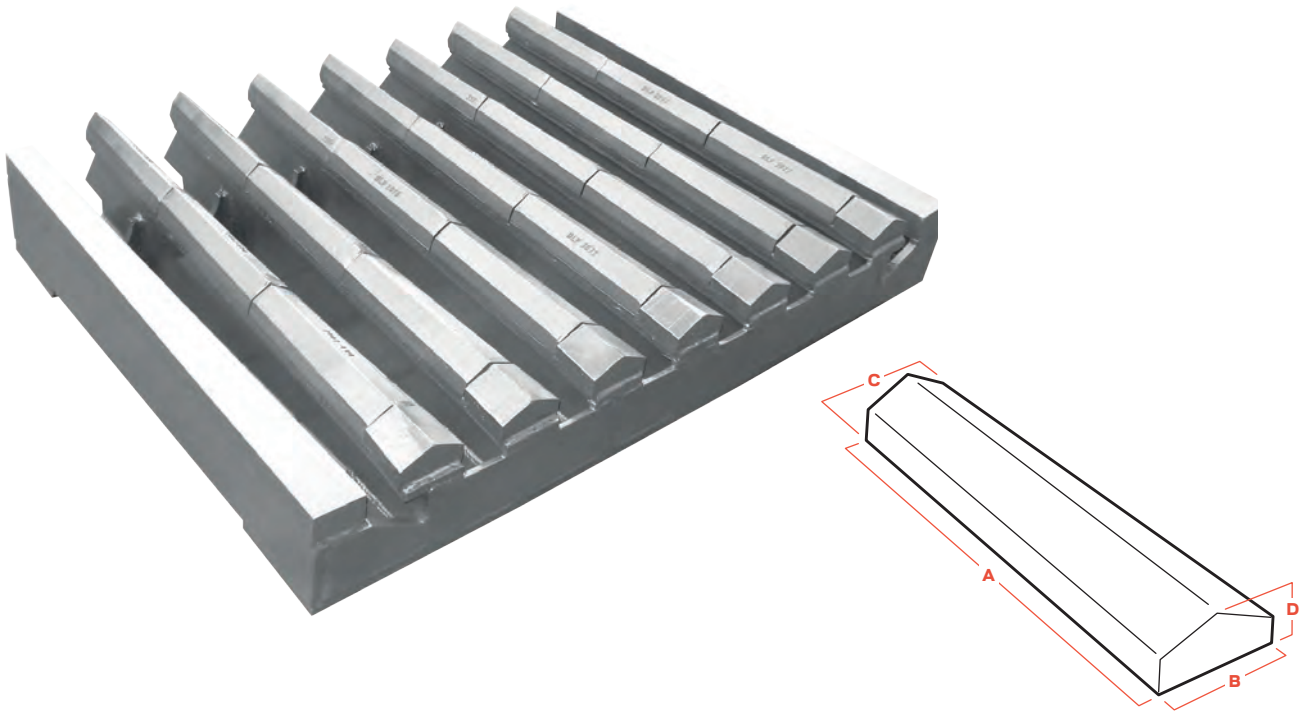
PRODUCT	PART NUMBER	WEIGHT (KG)	A LENGTH	B WIDTH	C HEIGHT
Arrow Head Knife 16mm	D-DLP1065-16	0.9	203	16	50
Arrow Head Knife 19mm	D-DLP1065-19	1.1	203	19	50
Arrow Head Knife 25mm	D-DLP1065-25	1.5	203	25	50

Wear Buttons & Donuts

PRODUCT	PART NUMBER	WEIGHT (KG)	D BASE DIAMETER	E TOP DIAMETER	F HEIGHT
Wear Button 75mm	D-WB75	1	75	55	30
Wear Button 90mm	D-WB90	1.5	90	70	30
Donut 100/70mm Diameter	D-DLP1994	1	100	70	25

All measurements in millimetres.

GRIZZLY BARS



Grizzly Bars TAPER A: 150-50

PRODUCT	PART NUMBER	WEIGHT (KG)	A LENGTH	B STARTING WIDTH	C END WIDTH (TAPER)	D HEIGHT
Grizzly Bar 150/137.5	D-DLP2067	13.6	305	150	137.5	50
Grizzly Bar 137.5/125	D-DLP2068	12.5	305	137.5	125	50
Grizzly Bar 125/112.5	D-DLP2069	11.2	305	125	112.5	50
Grizzly Bar 112.5/100	D-DLP2070	10	305	112.5	100	50
Grizzly Bar 100/87.5	D-DLP2071	8.8	305	100	87.5	50
Grizzly Bar 87.5/75	D-DLP2072	7.5	305	87.5	75	50
Grizzly Bar 75/62.5	D-DLP2073	6.3	305	75	62.5	50
Grizzly Bar 62.5/50	D-DLP2074	5.1	305	62.5	50	50

Grizzly Bars TAPER B: 150-75

PRODUCT	PART NUMBER	WEIGHT (KG)	A LENGTH	B STARTING WIDTH	C END WIDTH (TAPER)	D HEIGHT
Grizzly Bar 150/141	D-DLP2075	13.8	305	150	141	50
Grizzly Bar 141/131	D-DLP2076	12.9	305	141	131	50
Grizzly Bar 131/122	D-DLP2077	11.9	305	131	122	50
Grizzly Bar 122/113	D-DLP2078	11.1	305	122	113	50
Grizzly Bar 113/103	D-DLP2079	10.1	305	113	103	50
Grizzly Bar 103/94	D-DLP2080	9.2	305	103	94	50
Grizzly Bar 94/84	D-DLP2081	8.3	305	94	84	50
Grizzly Bar 84/75	D-DLP2082	7.4	305	84	75	50