

Pick the right tool for the job

We offer a wide variety of tooth shapes and sizes, ensuring we have what you need for your specific application. Finding the right balance of strength, penetration and wear life is vital to choosing the tip shape for your application.



Our ESCO Conical bucket teeth are high-quality after market castings made by Black Cat Blades.

STANDARD

Provides good balance of strength and digging capability. Ideal for general purpose applications.



TIGER

Maximum penetration and self-sharpening. Ideal for dense material e.g. clay.



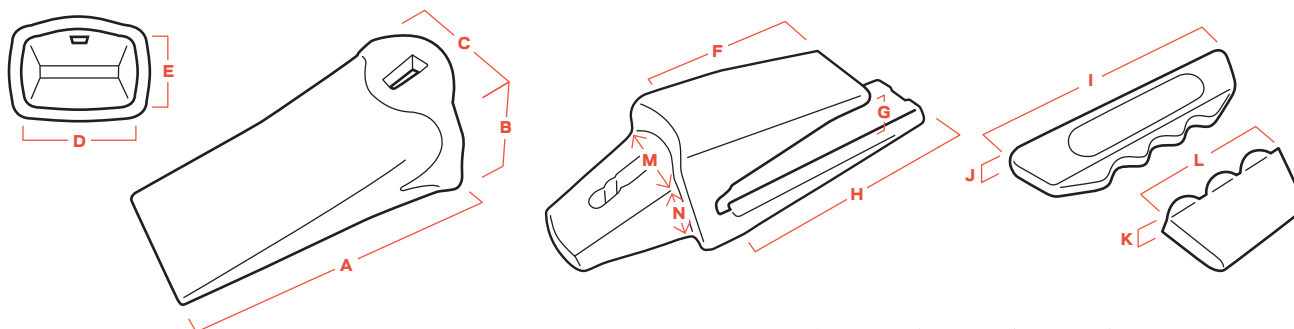
TWIN TIGER

Enhanced fracture capability and more wear than regular tiger. Ideal for breaking materials e.g. mudstone.



Machine tonnage and fitment size chart

TONNAGE	3-6	7-8	7-10	10-15	15-20	20-25	25-30	35-40
ESCO CONICAL FITMENT	18	22	25	30	35	40	45	50



Teeth

PRODUCT	PART NUMBER	WEIGHT (KG)	EXTERIOR			POCKET	
			A	B	C	D	E
18 Standard	TE-18S	1.0	138	52	62	45	35
18 Tiger	TE-18VIP	1.0	174	57	62	45	35
18 Twin Tiger	TE-18TV	1.3	174	54	62	45	35

Adapters

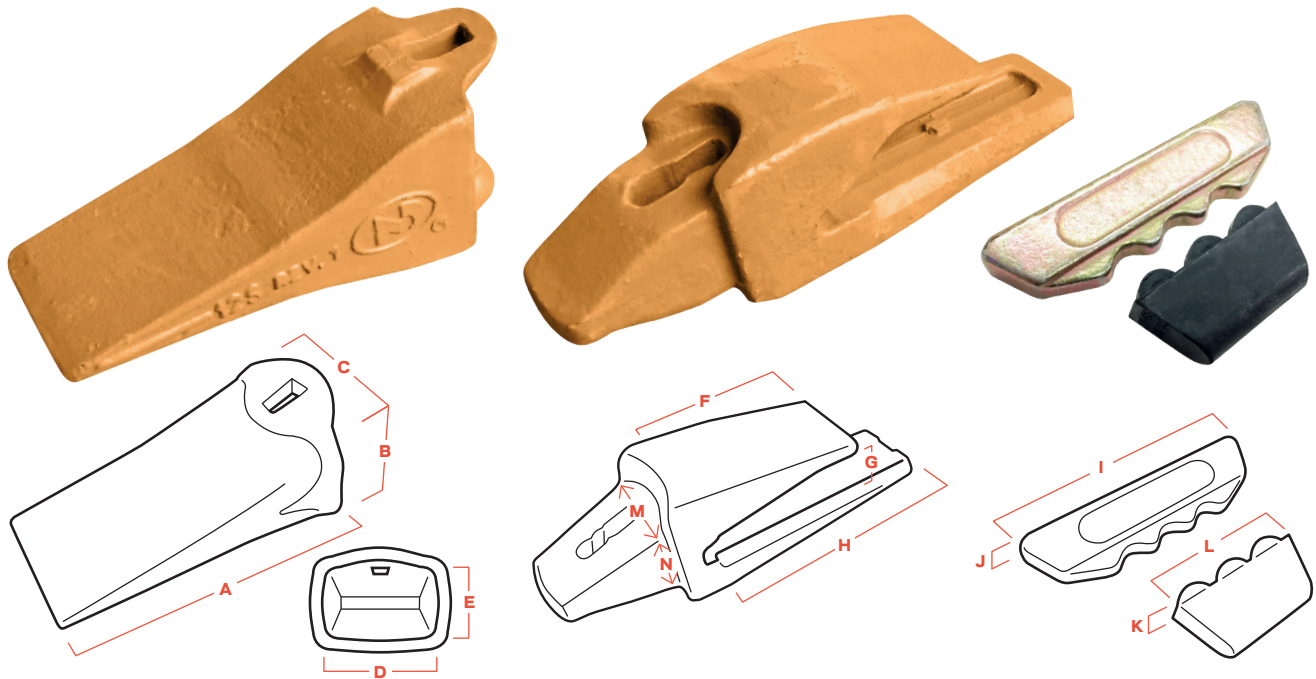
PRODUCT	PART NUMBER	WEIGHT (KG)	BEVEL °	STRAPS			NOSE	
				F	G	H	M	N
18 Adapter	TE-850-18	1.6	35	60	22	100	40	32

Pins & Retainers

∅ = Diameter

PRODUCT	PART NUMBER	WEIGHT (KG)	PIN		RETAINER	
			I	J	L	K
18 Pin	TE-18PN	0.1	53	6	-	-
18 Retainer	TE-18LK	0.1	-	-	36	13

All measurements in millimetres.



Teeth

PRODUCT	PART NUMBER	WEIGHT (KG)	EXTERIOR			POCKET	
			A	B	C	D	E
22 Standard	TE-22S	1.3	138	64	62	45	45
25 Standard	TE-25S	2.3	178	75	85	62	55
25 Tiger	TE-25VIP	2.9	228	80	89	62	55
25 Twin Tiger	TE-25TV	3.3	228	80	89	62	55

Adapters

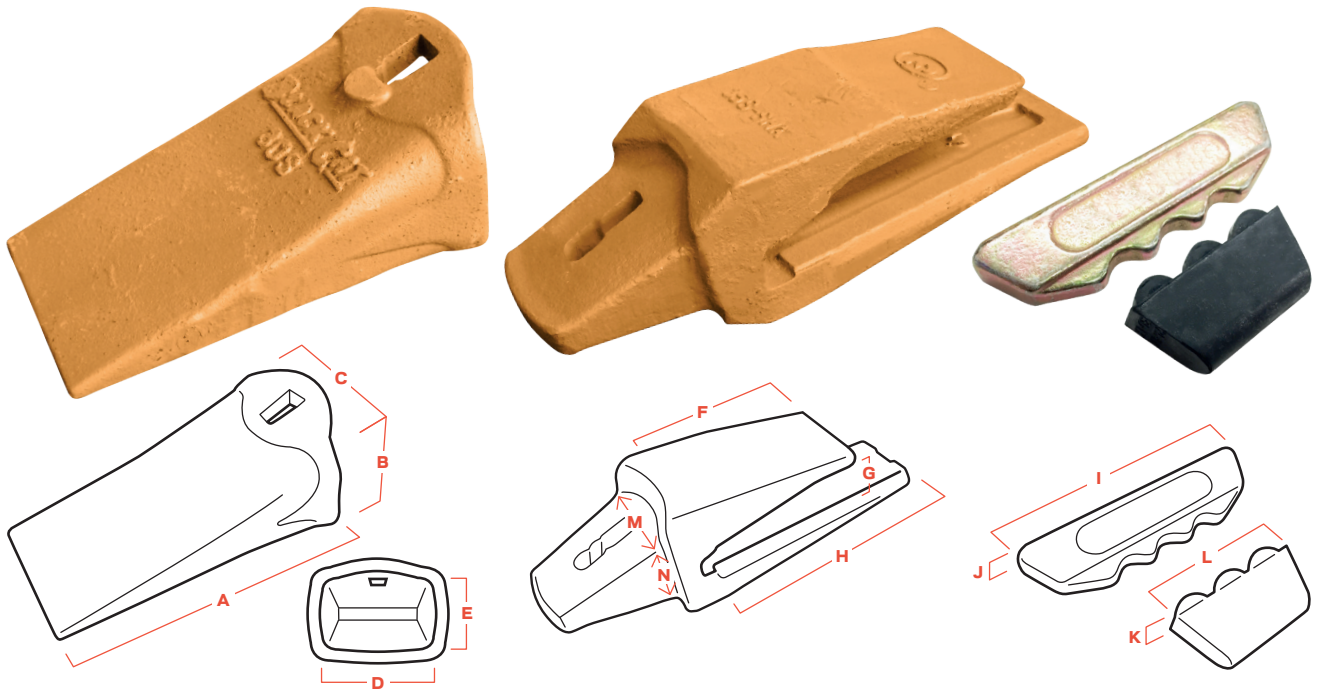
PRODUCT	PART NUMBER	WEIGHT (KG)	BEVEL°	STRAPS			NOSE	
				F	G	H	M	N
22 Adapter	TE-850-22	1.6	35	65	25	120	42	42
25 Adapter	TE-850-25	3.1	15	110	25	160	60	45
25 Adapter (Short Top Strap)	TE-850-25S	3.1	25	40	28	122	-	-

Pins & Retainers

∅ = Diameter

PRODUCT	PART NUMBER	WEIGHT (KG)	PIN		RETAINER	
			I	J	L	K
22 Pin	TE-22PN	0.1	64	7	-	-
22 Retainer	TE-22LK	2.0	-	-	44	13
25-30 Pin	TE-25-30PN	0.1	75	9	-	-
25-30 Retainer	TE-25-30LK	0.1	-	-	38	11

All measurements in millimetres.



Teeth

PRODUCT	PART NUMBER	WEIGHT (KG)	EXTERIOR			POCKET	
			A	B	C	D	E
			LENGTH	HEIGHT	WIDTH	WIDTH	HEIGHT
30 Standard	TE-30S	2.7	178	78	95	72	50
30 Tiger	TE-30VIP	3.0	215	78	101	72	50
30 Twin Tiger	TE-30TV	3.2	215	78	101	72	50
35 Standard	TE-35S	5.0	216	95	118	82	65
35 Tiger	TE-35VIP	6.2	266	110	120	82	65
35 Twin Tiger	TE-35TV	6.3	266	110	120	82	65

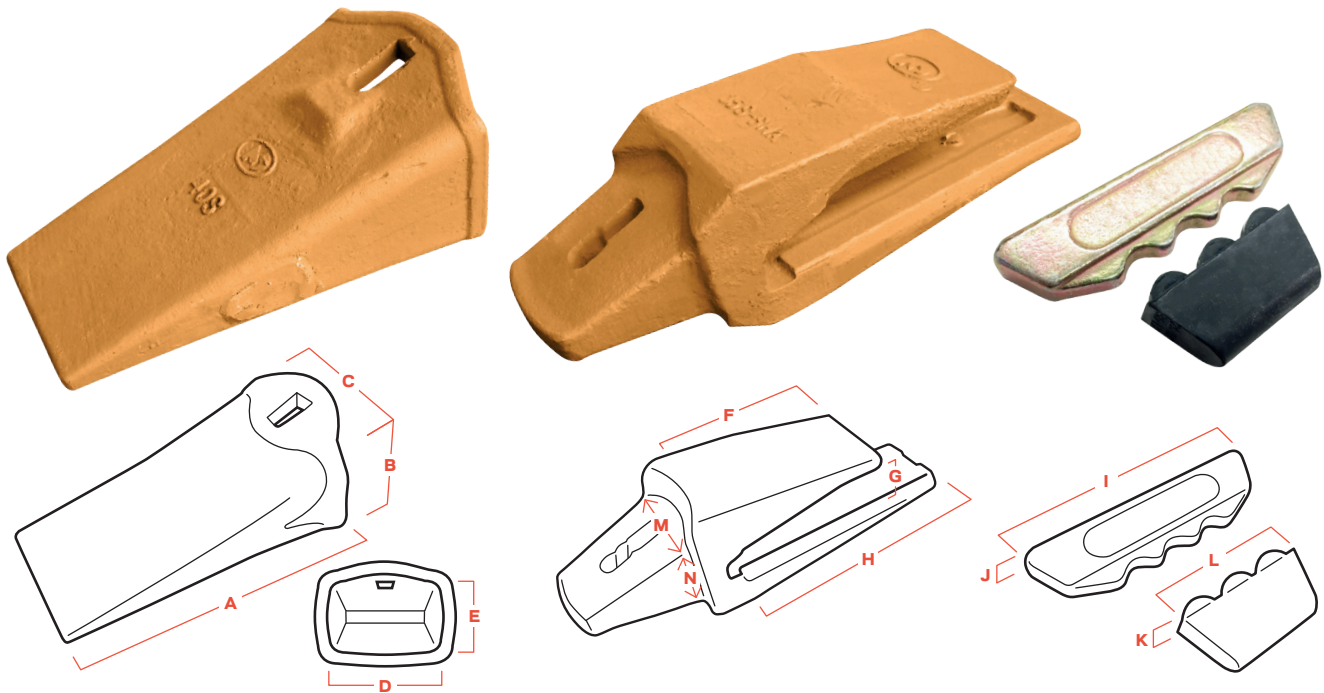
Adapters

PRODUCT	PART NUMBER	WEIGHT (KG)	BEVEL°	STRAPS			NOSE	
				F	G	H	M	N
				TOP STRAP	GAP	BOTTOM STRAP	WIDTH	HEIGHT
30 Adapter	TE-850-30	3.9	15	140	32	185	70	40
35 Adapter	TE-850-35	7.9	25	160	35	220	85	45

Pins & Retainers ∅ = Diameter

PRODUCT	PART NUMBER	WEIGHT (KG)	PIN		RETAINER	
			I	J	L	K
			LENGTH	DIAMETER	LENGTH	THICKNESS
25-30 Pin	TE-25-30PN	0.1	75	9	-	-
25-30 Retainer	TE-25-30LK	0.1	-	-	38	11
35 Pin	TE-35PN	0.2	87	10	-	-
35-40 Retainer	TE-35-40LK	0.1	-	-	47	15

All measurements in millimetres.



Teeth

PRODUCT	PART NUMBER	WEIGHT (KG)	EXTERIOR			POCKET	
			A	B	C	D	E
			LENGTH	HEIGHT	WIDTH	WIDTH	HEIGHT
40 Standard	TE-40S	6.4	225	110	130	98	72
45 Standard	TE-45S	9.2	230	120	140	112	75

Adapters

PRODUCT	PART NUMBER	WEIGHT (KG)	BEVEL °	STRAPS			NOSE	
				F	G	H	M	N
				TOP STRAP	GAP	BOTTOM STRAP	WIDTH	HEIGHT
40 Adapter	TE-850-40	14.7	25	260	42	175	-	-

Pins & Retainers \varnothing = Diameter

PRODUCT	PART NUMBER	WEIGHT (KG)	PIN		RETAINER	
			I	J	L	K
			LENGTH	DIAMETER	LENGTH	THICKNESS
40 Pin	TE-40PN	0.1	95	13	-	-
35-40 Retainer	TE-35-40LK	0.1	-	-	47	15
45 Pin	TE-45PN	0.1	107	14	-	-
45 Retainer	TE-45LK	0.3	-	-	57	17

All measurements in millimetres.