

SV2 Mining Tooth System

The SV2 system is available to suit mining-class hydraulic face shovels, excavators, wheel loaders, and electric cable shovels. Cast in premium ESCO alloys, ensures the best balance of hardness and impact resistance to perform in the most demanding applications.



Machine tonnage and fitment size guidelines

TONNAGE	85-100	100-160	160-220	220-250
SV2	65	70	75	85

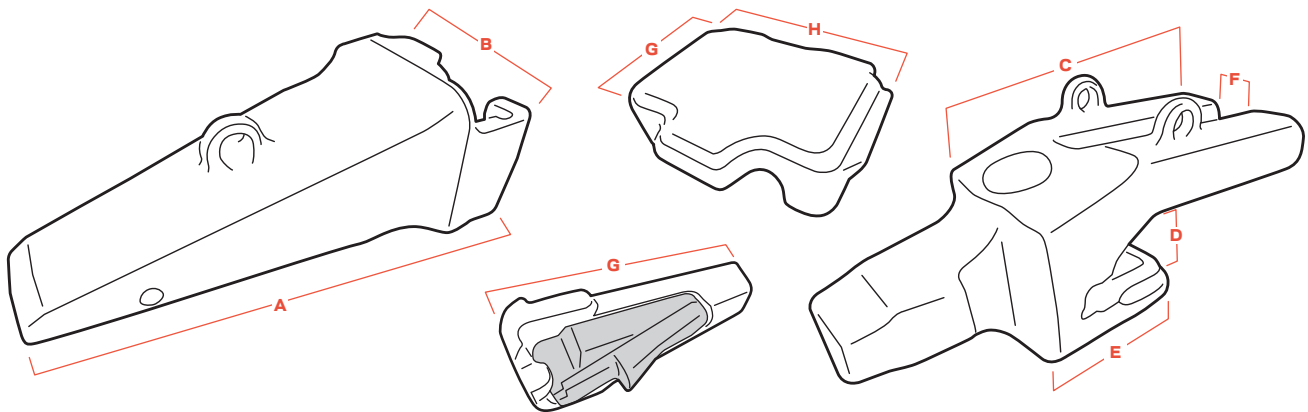
CHISEL

Chisel taper for moderate penetration with excellent strength. Provides a good balance of penetration and wear life.



TIGER / PICK

Pick profile for maximum penetration. Ideal for hard to penetrate material such as shale or in heavy frost conditions.



Teeth

PRODUCT	PART NUMBER	WEIGHT (KG)	A LENGTH	B WIDTH
65SV2 Chisel	TE-65SV2SD	30.0	389	202
70SV2 Chisel	TE-70SV2SD	45.0	441	230
70SV2 Tiger	TE-70SV2VX	40.0	471	230

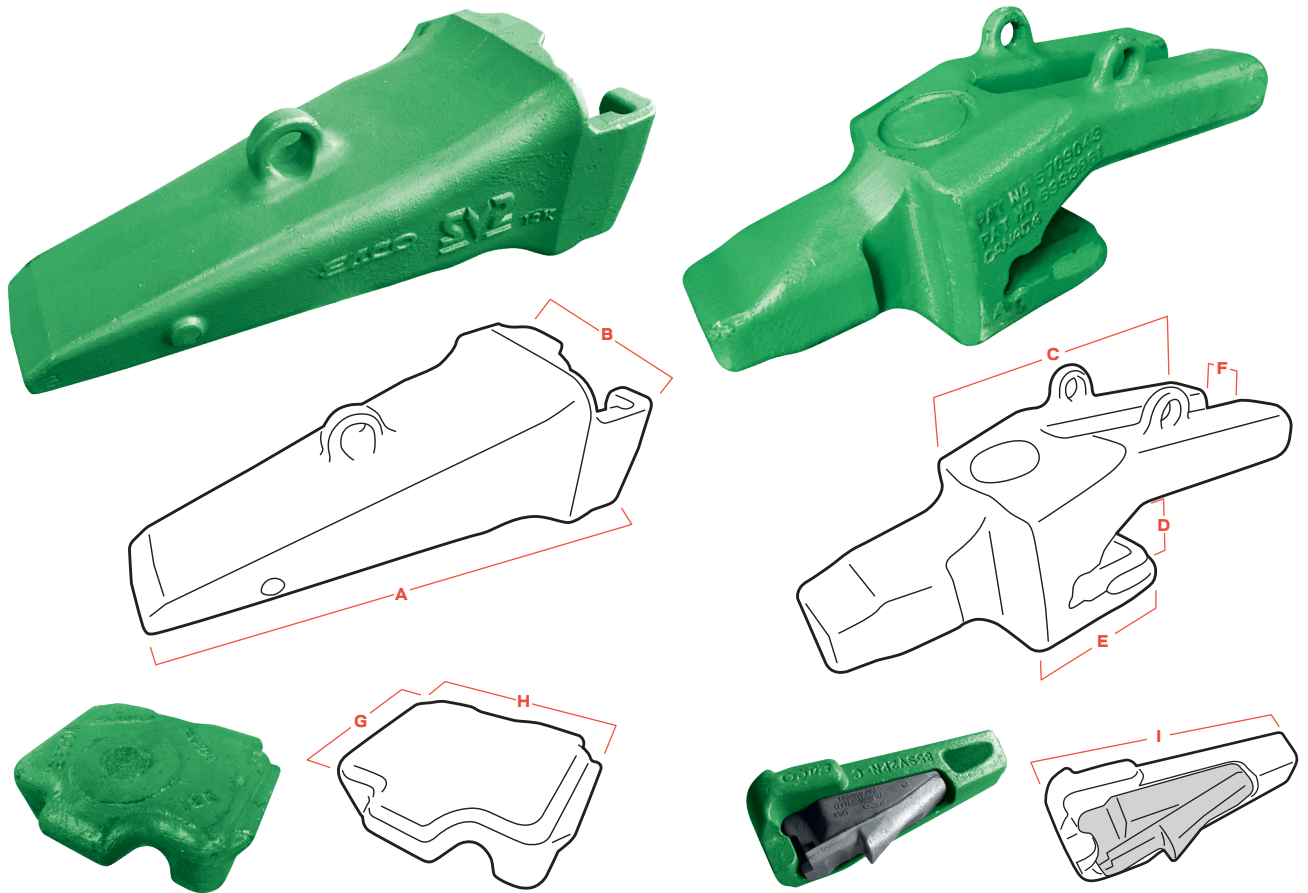
Adapters

PRODUCT	PART NUMBER	WEIGHT (KG)	BEVEL °	C TOP LEG	D LIP THICKNESS	E BOTTOM LEG	F LEG OPENING
65SV2 Adapter	TE-6803W-65SV2	62.0	30	368	90	221	-
65SV2 Adapter (Left Corner)	TE-6840L-65SV2	78.0	30	400	90	184	68
65SV2 Adapter (Right Corner)	TE-6840R-65SVR	78.0	30	400	90	184	68
70SV2 Adapter	TE-5897W-70SV2	101.0	30	447	102	274	-

Wear Caps, Pins & Removal Tools

PRODUCT	PART NUMBER	WEIGHT (KG)	G LENGTH	H WIDTH
65SV2 Wear Cap	TE-WC265	11.0	200	249
70SV2 Wear Cap	TE-WC270	11.0	200	249
65SV2 Pin	TE-65SV2PN-C	0.6	116	-
70SV2 Pin	TE-70SV2PN-C	0.6	121	-
65-70SV2 Install/Removal Tool	TE-65-70SV2PN-RT2	2.9	-	-

All measurements in millimetres



Teeth

PRODUCT	PART NUMBER	WEIGHT (KG)	A	B
			LENGTH	WIDTH
75SV2 Chisel	TE-75SV2SD	62.0	462	264
75SV2 Tiger	TE-75SV2VX	56.0	521	264
85SV2 Chisel	TE-85SV2SD	82.0	526	285
85SV2 Tiger	TE-85SV2VX	76.0	579	285

Adapters

PRODUCT	PART NUMBER	WEIGHT (KG)	BEVEL °	C	D	E	F
				TOP LEG	LIP THICKNESS	BOTTOM LEG	LEG OPENING
75SV2 Adapter	TE-5897W-75SV2	140	30	462	102	277	-
85SV2 Adapter	TE-6810W-85SV2	178	30	540	121	329	-

Wear Caps, Pins & Removal Tools

PRODUCT	PART NUMBER	WEIGHT (KG)	G	H
			LENGTH	WIDTH
75SV2 Wear Cap	TE-WC275	16.0	224	258
85SV2 Wear Cap	TE-WC285	18.0	236	281
75SV2 Pin	TE-75SV2PN-C	0.9	136	-
85SV2 Pin	TE-85SV2PN-C	1.3	152	-
75-85SV2 Install/Removal Tool	TE-75-85SV2PN-RT2	3.5	-	-

All measurements in millimetres