

## Pick the right tool for the job

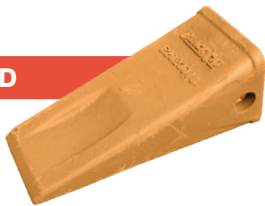
We offer a wide variety of tooth shapes and sizes, ensuring we have what you need for your specific application. Finding the right balance of strength, penetration and wear life is vital to choosing the tip shape for your application.



Our Hyundai and Komatsu bucket teeth are high-quality castings made by Black Cat Blades.

### STANDARD

Provides good balance of strength and digging capability. Ideal for most general purpose applications.



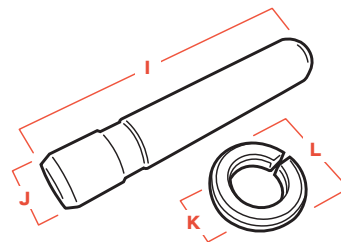
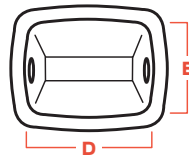
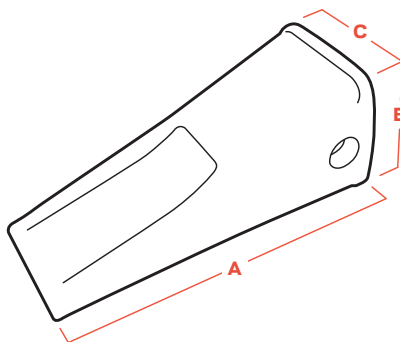
### ROCK CHISEL

For highly abrasive material. Provides good penetration and wear life.



### TIGER

Maximum penetration and self-sharpening. Ideal for dense material such as clay.



## Teeth

PRODUCT	PART NUMBER	WEIGHT (KG)	EXTERIOR			POCKET	
			A	B	C	D	E
R140-210 Standard Long	THY-161-3027	4.8	219	91	99	72	60
R140-210 Rock Chisel	THY-161-3027RC	6.4	254	93	98	72	60
R140-210 Tiger	THY-161-3027T	4.3	222	89	97	72	60
R290-310 Rock Chisel	THY-162-3046RC	10.2	292	112	121	82	80
R290-310 Tiger	THY-162-3046T	9.3	292	110	122	82	80

## Pins & Retainers

∅ = Diameter

PRODUCT	PART NUMBER	WEIGHT (KG)	PIN		RETAINER	
			I	J	K	L
R140-210 Pin	THY-E1613035	0.2	108	20	-	-
R290-310 Pin	THY-262-5004	0.2	120	20	-	-
R140-310 Retainer	THY-61E-511150	0.3	-	-	19	33

All measurements in millimetres.

