

Pick the right tool for the job

We offer a wide variety of tooth shapes and sizes, ensuring we have what you need for your specific application. Finding the right balance of strength, penetration and wear life is vital to choosing the tip shape for your application.



Our J-series bucket teeth are high-quality after market castings made by Black Cat Blades.

Machine tonnage and fitment size chart

TONNAGE	5-6	7-10	10-15	15-20	20-25	25-30	35-40	45-50	50-60
J-SERIES	J200	J225	J250	J300	J350	J400	J460	J550	J600

STANDARD

Provides good balance of strength and digging capability. Ideal for most general purpose applications.



HEAVY DUTY ABRASION

LOADER TOOTH for high-impact situations with abrasive, hard-to-penetrate materials.



PENETRATION

For tightly compacted, or frozen applications where penetration is the primary concern.



ROCK CHISEL

For highly abrasive material while providing good penetration and wear life.



PENETRATION PLUS

A self-sharpening penetration tooth with more wear material and less cross-sectional area.



TIGER

Maximum penetration and self-sharpening. Ideal for dense material such as clay.



HD PENETRATION (RP2)

LOADER TOOTH for high-impact, hard-to-penetrate materials. More material in the high wear areas.



TWIN TIGER

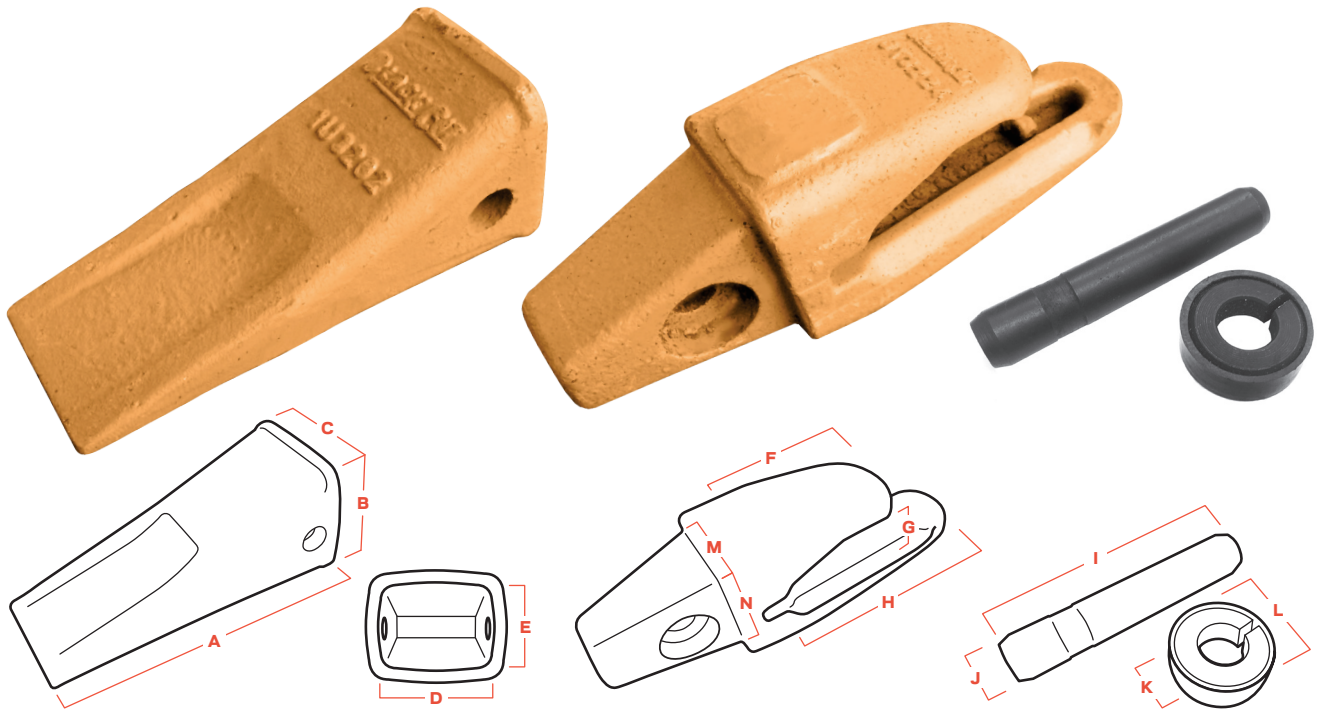
Enhanced fracture capability, but less penetration and more wear than regular tiger. Ideal for breaking materials.



WELD-ON ADAPTER NOSE

Weld-on noses for repairing broken adapters.





Teeth

PRODUCT	PART NUMBER	WEIGHT (KG)	EXTERIOR			POCKET	
			A	B	C	D	E
J200 Standard	TC-1U3202	1.3	146	63	57	44	44
J200 Tiger	TC-T1U3202	1.5	165	70	60	44	44
J200 Twin Tiger	TC-4T2203TV	1.7	171	68	60	44	44
J225 Standard	TC-6Y3222	2.0	165	76	67	44	60
J225 Penetration	TC-6Y8229	2.1	166	84	70	44	60

Adapters

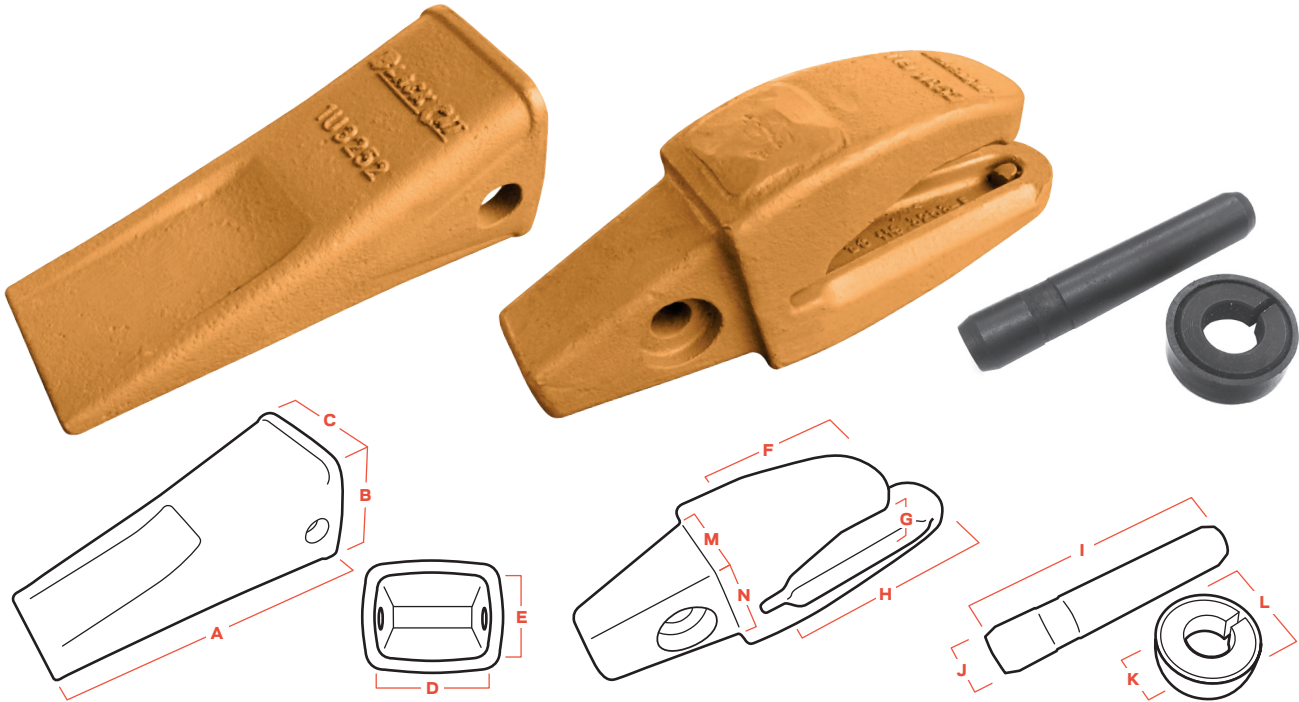
PRODUCT	PART NUMBER	WEIGHT (KG)	BEVEL°	STRAPS			NOSE	
				F	G	H	M	N
J200 Adapter	TC-1193205	2.2	25	65	23	95	35	45
J200 Bottom Strap Adapter	TC-8J7525	1.5	25	20	15	90	35	45
J200 Weld on Nose	TC-8J7525WN	1.0	-	-	-	-	35	45
J225 Adapter	TC-6Y3224	3.1	25	75	28	120	43	57
J225 Weld on Nose	TC-J225WN	1.7	-	-	-	-	43	57

Pins & Retainers

∅ = Diameter

PRODUCT	PART NUMBER	WEIGHT (KG)	PIN		RETAINER	
			I	J	K	L
J200 Pin	TC-8E6208	0.1	60	11	-	-
J200 Retainer	TC-8E6209	0.1	-	-	10.6	23
J225 Pin	TC-6Y3228	0.1	67	14	-	-
J225-J250-J300 Retainer	TC-8E6259	0.1	-	-	13.6	30

All measurements in millimetres.



Teeth

PRODUCT	PART NUMBER	WEIGHT (KG)	EXTERIOR			POCKET	
			A	B	C	D	E
J250 Standard	TC-1U3252	3.2	190	86	76	56	67
J250 Tiger	TC-1U3252VIP	2.9	203	90	78	56	67
J250 Twin Tiger	TC-1U3252TVC	2.9	213	87	76	56	67
J250 Penetration Plus	TC-1U3252PP	4.6	222	97	84	56	67

Adapters

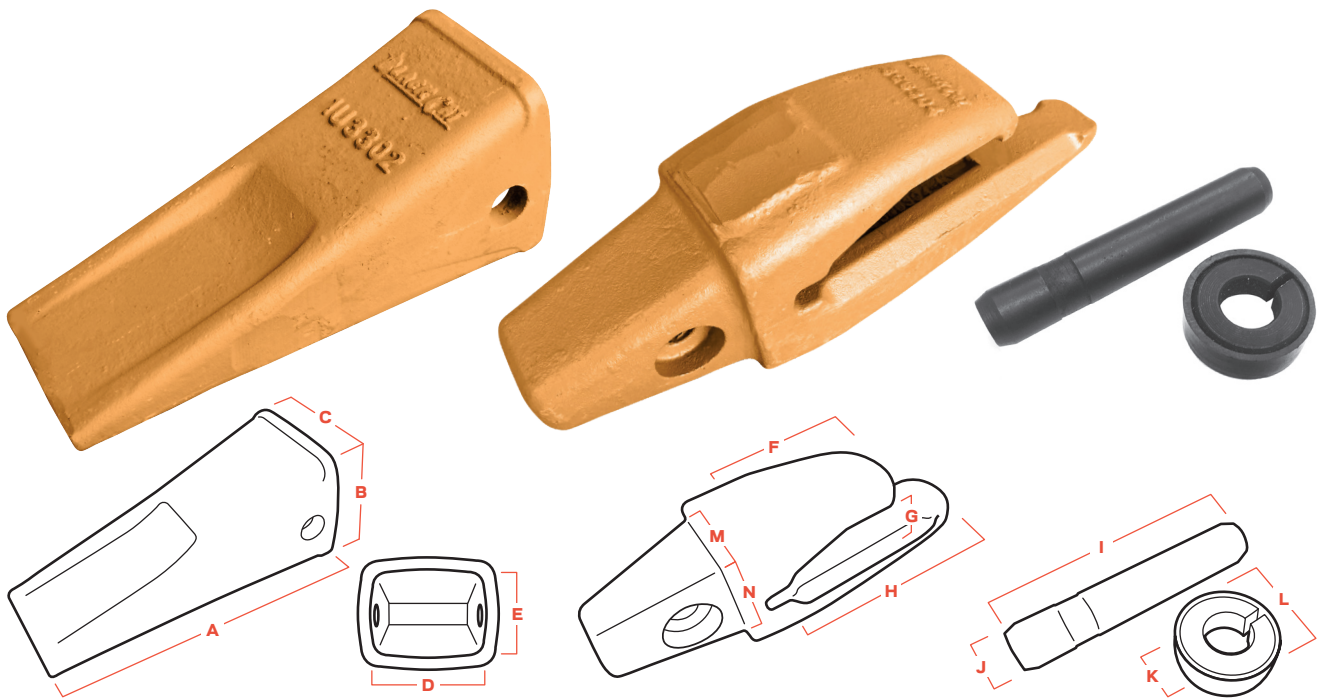
PRODUCT	PART NUMBER	WEIGHT (KG)	BEVEL°	STRAPS			NOSE	
				F	G	H	M	N
J250 Bottom Strap Adapter	TC-3G0169	5.2	25	35	38	175	48	65
J250 Bolt on Adapter	TC-1U0257	10.2	20	215	30	215	48	65
J250 Adapter Twin Strap	TC-1193253	5.2	25	110	35	140	48	65
J250 Flushmount Adapter	TC-1U1254	6.9	25	220	-	-	48	65
J250 Weld On Nose	TC-J250WN	2.4	-	-	-	-	48	65

Pins & Retainers

∅ = Diameter

PRODUCT	PART NUMBER	WEIGHT (KG)	PIN		RETAINER	
			I	J	K	L
J250 Pin	TC-8E6258	0.1	76	14	-	-
J225-J250-J300 Retainer	TC-8E6259	0.1	-	-	13.6	30

All measurements in millimetres.



Teeth

PRODUCT	PART NUMBER	WEIGHT (KG)	EXTERIOR			POCKET	
			A	B	C	D	E
J300 Standard	TC-1U3302	4.6	215	100	84	67	76
J300 Standard Wide	TC-9N4303	6.7	223	101	84	67	76
J300 Penetration	TC-9J4309	4.1	220	103	89	67	76
J300 Rock Exploder	TC-1U3302RE-R	5.6	251	103	90	67	76
J300 Shark Long	TC-1U3302SYL-R	4.6	234	104	90	67	76
J300 Tiger	TC-1U3302T	4.7	241	105	86	67	76
J300 Twin Tiger	TC-1U3302TV	4.9	242	104	85	67	76

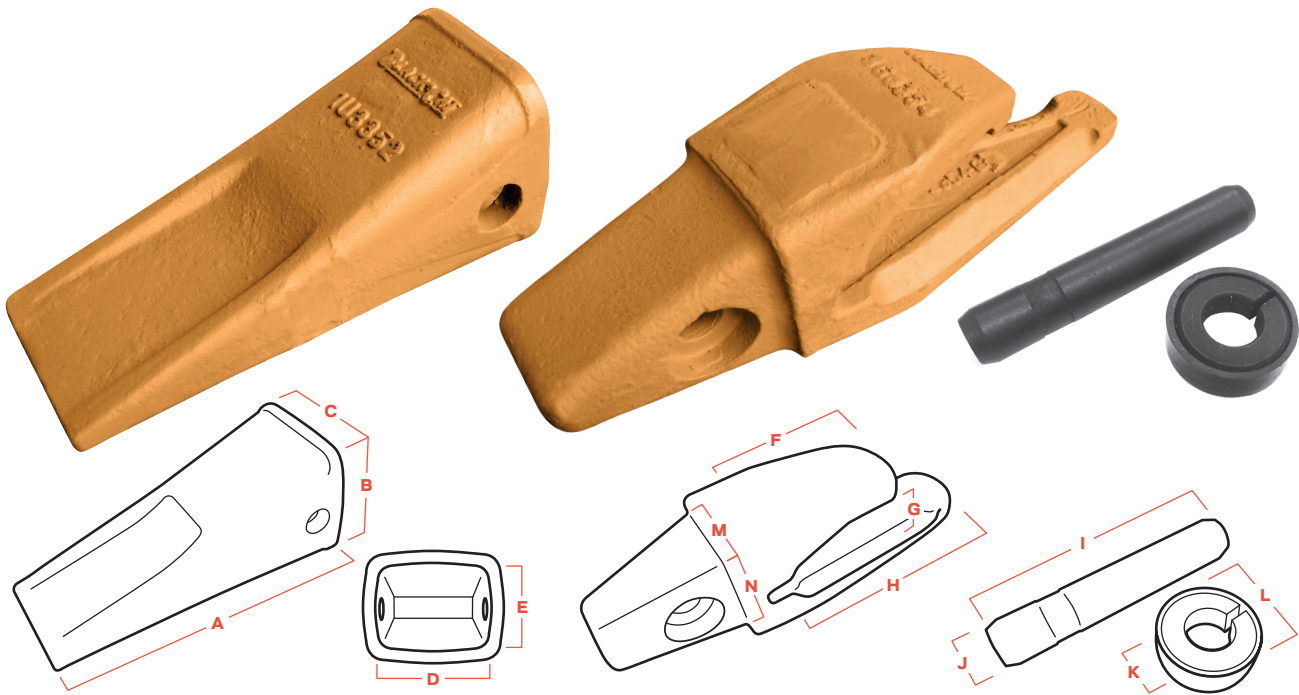
Adapters

PRODUCT	PART NUMBER	WEIGHT (KG)	BEVEL °	STRAPS			NOSE	
				F	G	H	M	N
J300 Adapter	TC-3G6304	8.0	25	115	35	200	60	72
J300 Flushmount Adapter	TC-1U0307	9.6	25	220	-	-	60	72
J300 Weld On Nose	TC-J300WN	3.4	-	-	-	-	60	72

Pins & Retainers ∅ = Diameter

PRODUCT	PART NUMBER	WEIGHT (KG)	PIN		RETAINER	
			I	J	K	L
J300 Pin	TC-1073308	0.1	90	14	-	-
J225-J250-J300 Retainer	TC-8E6259	0.1	-	-	13.6	30

All measurements in millimetres.



Teeth

PRODUCT	PART NUMBER	WEIGHT (KG)	EXTERIOR			POCKET	
			A	B	C	D	E
J350 Standard	TC-1U3352	6.8	241	108	102	75	81
J350 Heavy Duty Abrasion	TC-1U3352HDAL	6.4	241	120	106	75	81
J350 Penetration	TC-9J4359	5.8	251	111	102	75	81
J350 Penetration Plus	TC-1U3352PP	7.4	260	112	105	75	81
J350 Tiger	TC-1U3352T	6.7	286	112	105	75	81
J350 Rock Chisel	TC-1U3352RC	8.1	283	114	104	73	80
J350 Twin Tiger	TC-1U3352TV	7.2	286	111	105	75	81

Adapters

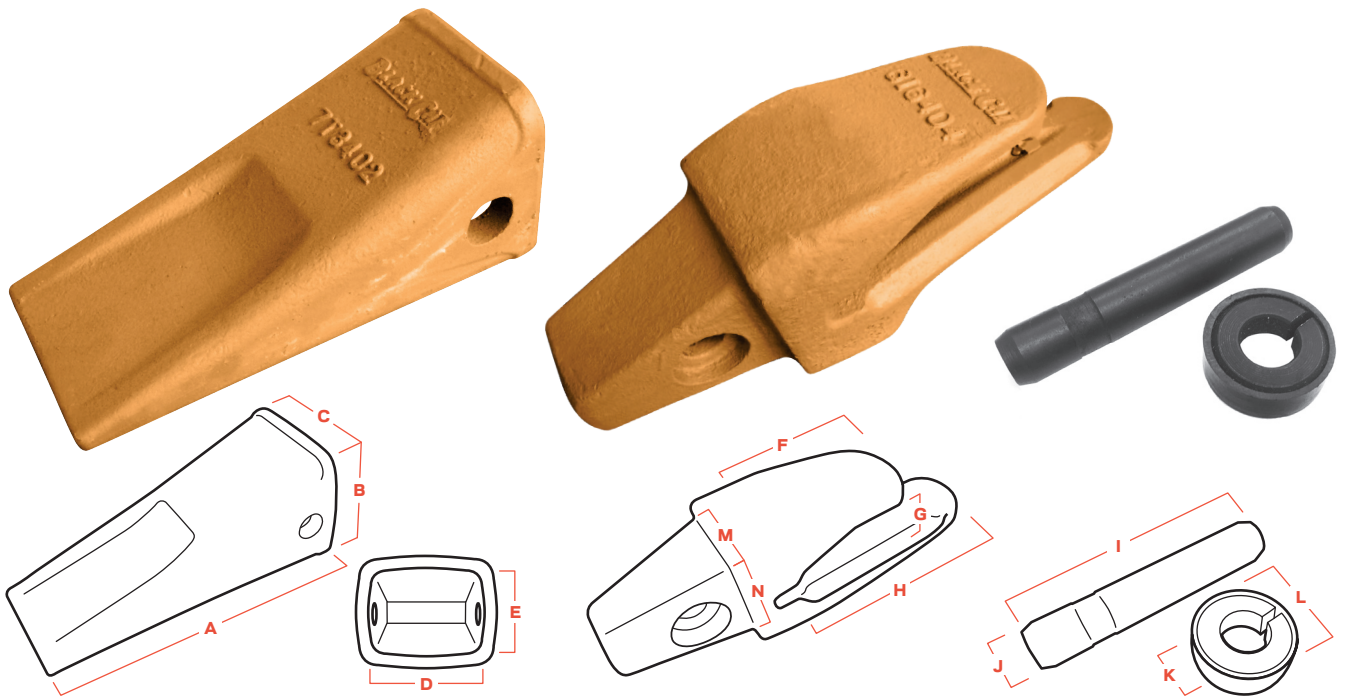
PRODUCT	PART NUMBER	WEIGHT (KG)	BEVEL °	STRAPS			NOSE	
				F	G	H	M	N
J350 Adapter	TC-3G8354	9.1	35	110	42	200	67	82
J350 Weld on Nose	TC-J350WN	4.6	-	-	-	-	67	82

Pins & Retainers

∅ = Diameter

PRODUCT	PART NUMBER	WEIGHT (KG)	PIN		RETAINER	
			I	J	K	L
J350 Pin	TC-8E6358	0.1	105	19	-	-
J350 Retainer	TC-8E6359	0.1	-	-	18.5	40

All measurements in millimetres.



Teeth

PRODUCT	PART NUMBER	WEIGHT (KG)	EXTERIOR			POCKET	
			A	B	C	D	E
			LENGTH	HEIGHT	WIDTH	WIDTH	HEIGHT
J400 Standard	TC-1U3402	9.5	267	127	117	88	89
J400 Rock Chisel	TC-1U3402RC	11.9	308	132	121	88	89
J400 Penetration	TC-6Y7409	9.2	266	133	120	88	89
J400 Penetration Plus	TC-1U3402PP	11.8	290	133	122	88	89

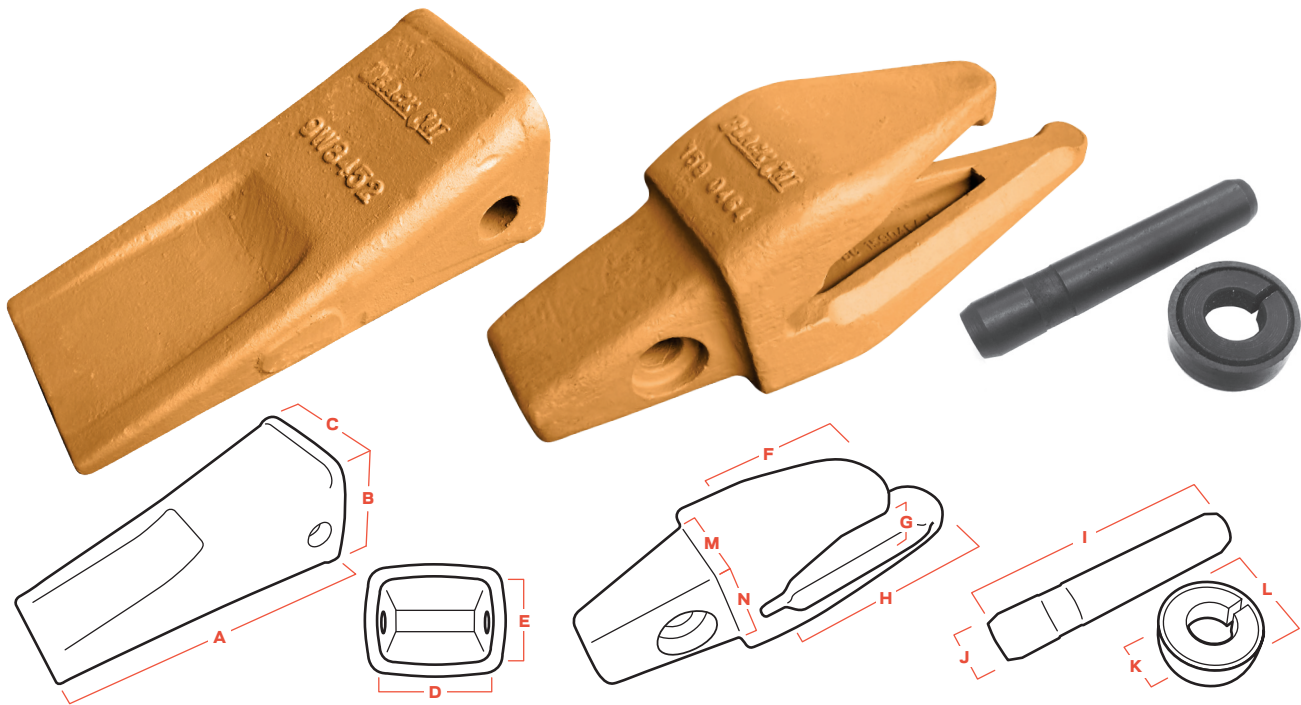
Adapters

PRODUCT	PART NUMBER	WEIGHT (KG)	BEVEL °	STRAPS			NOSE	
				F	G	H	M	N
				TOP STRAP	GAP	BOTTOM STRAP	WIDTH	HEIGHT
J400 Adapter – 44m Lip	TC-6I6404	15.9	25	160	44	220	90	77
J400 Adapter – 50mm Lip	TC-6I6404-16	17.0	25	160	50	220	90	77
J400 Weld on Nose	TC-J400WN	6.8	-	-	-	-	90	77

Pins & Retainers

PRODUCT	PART NUMBER	WEIGHT (KG)	PIN		RETAINER	
			I	J	K	L
			LENGTH	DIAMETER	INTERNAL Ø	EXTERNAL Ø
J400 Pin	TC-7T3408	0.1	117	22	-	-
J400 Retainer	TC-7T3409	0.1	-	-	21.5	42

All measurements in millimetres.



Teeth

PRODUCT	PART NUMBER	WEIGHT (KG)	EXTERIOR			POCKET	
			A	B	C	D	E
PRODUCT	PART NUMBER	WEIGHT (KG)	LENGTH	HEIGHT	WIDTH	WIDTH	HEIGHT
J460 Standard	TC-9W8452	11.6	298	127	130	100	101
J460 Penetration Plus	TC-1590459	15.2	327	141	135	100	101
J460 Rock Chisel	TC-1U3452RC	14.3	330	140	135	100	101
J460 Heavy Duty Long	TC-9N4452SC	16.3	310	137	135	100	101
J460 Tiger	TC-9W8452VIP	13.3	357	140	136	100	101
J460 Twin Tiger	TC-9W8452TV	14.8	357	138	136	100	101

Adapters

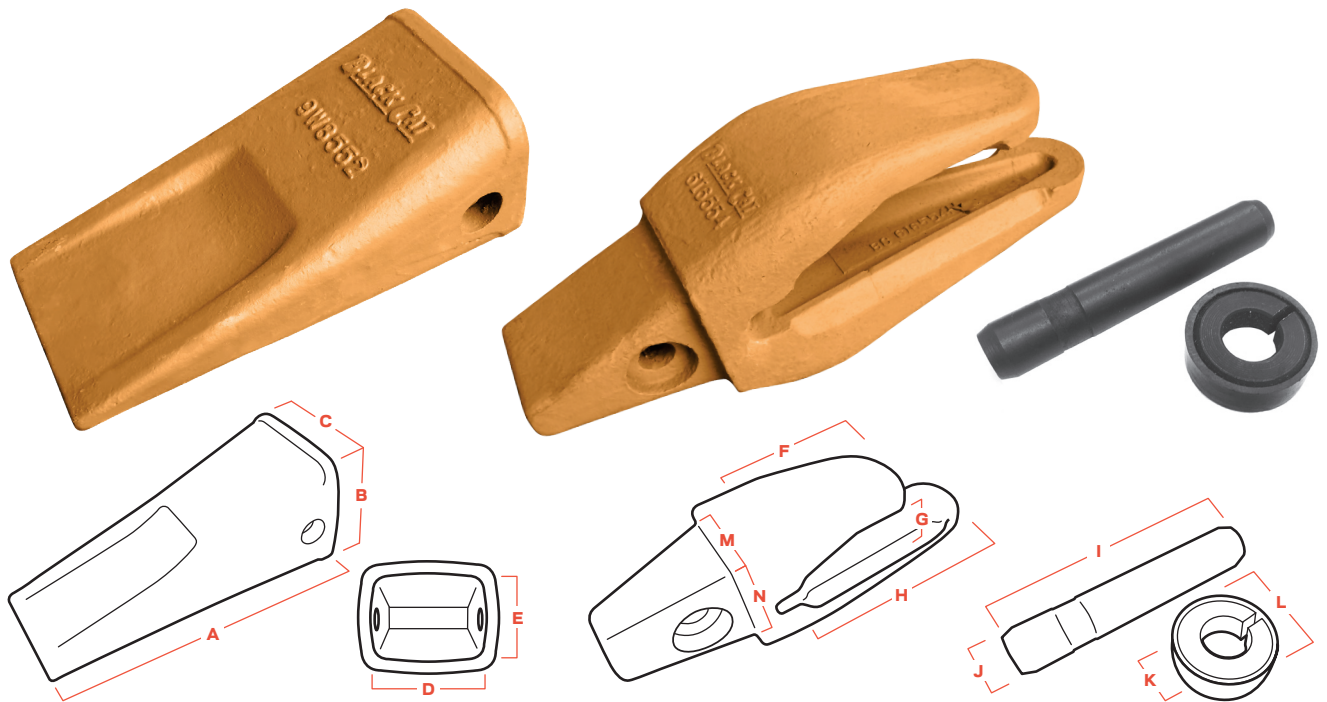
PRODUCT	PART NUMBER	WEIGHT (KG)	BEVEL°	STRAPS			NOSE	
				F	G	H	M	N
PRODUCT	PART NUMBER	WEIGHT (KG)	BEVEL°	TOP STRAP	GAP	BOTTOM STRAP	WIDTH	HEIGHT
J460 Adapter	TC-8E6464	21.9	25	220	55	260	85	95

Pins & Retainers

∅ = Diameter

PRODUCT	PART NUMBER	WEIGHT (KG)	PIN		RETAINER	
			I	J	K	L
PRODUCT	PART NUMBER	WEIGHT (KG)	LENGTH	DIAMETER	INTERNAL ∅	EXTERNAL ∅
J460 Pin	TC-8E0468	0.1	133	24	-	-
J460 Retainer	TC-8E0469	0.1	-	-	23.3	44

All measurements in millimetres.



Teeth

PRODUCT	PART NUMBER	WEIGHT (KG)	EXTERIOR			POCKET	
			A	B	C	D	E
			LENGTH	HEIGHT	WIDTH	WIDTH	HEIGHT
J550 Standard	TC-9W8552	18.5	330	143	159	119	113
J550 HD Penetration (RP2)	TC-1386552	32.9	387	160	162	119	113
J550 Penetration	TC-9W8559	16.1	336	149	155	119	113
J550 Penetration Plus	TC-1590559	24.1	371	159	162	119	113
J550 Rock Chisel	TC-1U3552RC	16.1	381	159	161	119	113
J550 Tiger	TC-9W8559VIP	16.3	381	148	159	119	113
J550 Twin Tiger	TC-9W8559TVC	18.3	381	148	159	119	113

Adapters

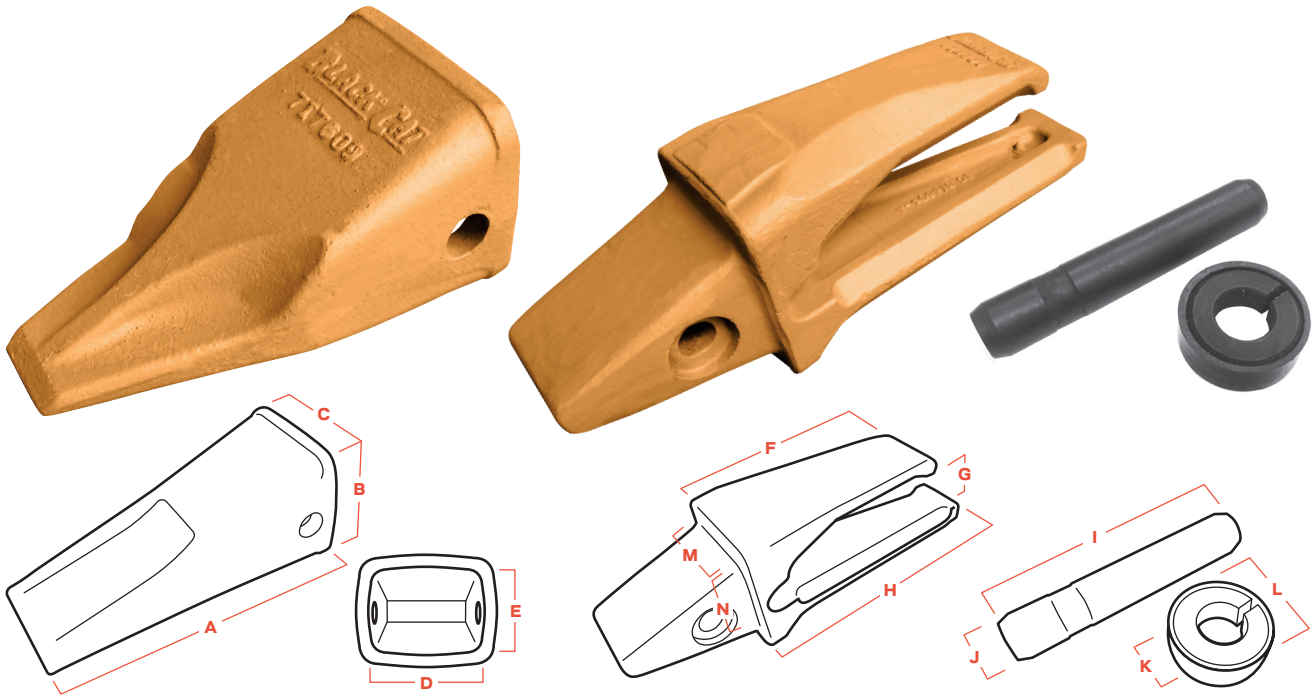
PRODUCT	PART NUMBER	WEIGHT (KG)	BEVEL °	STRAPS			NOSE	
				F	G	H	M	N
				TOP STRAP	GAP	BOTTOM STRAP	WIDTH	HEIGHT
J550 Adapter	TC-6I6554	35.9	25	250	70	300	105	105
J550 Weld on Nose	TC-J550WN	13.2	-	-	-	-	105	105

Pins & Retainers

∅ = Diameter

PRODUCT	PART NUMBER	WEIGHT (KG)	PIN		RETAINER	
			I	J	K	L
			LENGTH	DIAMETER	INTERNAL ∅	EXTERNAL ∅
J550 Pin	TC-6Y8558	0.1	160	25	-	-
J550 Retainer	TC-8E5559	0.1	-	-	24.5	53

All measurements in millimetres.



Teeth

PRODUCT	PART NUMBER	WEIGHT (KG)	EXTERIOR			POCKET	
			A	B	C	D	E
J600 Penetration Plus	TC-159-0607	38.5	425	187	195	146	137
J600 Rock Exploder	TC-6I6602RE-R	37.0	460	185	190	146	137
J600 Tiger	TC-T6I6602	35.7	457	185	200	146	137
J700 Penetrator	TC-4T4709	40.0	420	210	195	155	144

Adapters

PRODUCT	PART NUMBER	WEIGHT (KG)	BEVEL°	STRAPS			NOSE	
				F	G	H	M	N
J600 Adapter	TC-6I6604	51.5	25	TOP STRAP	GAP	BOTTOM STRAP	WIDTH	HEIGHT
				280	80	330	125	125

Pins & Retainers

∅ = Diameter

PRODUCT	PART NUMBER	WEIGHT (KG)	PIN		RETAINER	
			I	J	K	L
J600 Pin	TC-6I6608	0.1	LENGTH	DIAMETER	INTERNAL ∅	EXTERNAL ∅
			192	30	-	-
J600 Retainer	TC-6I6609	1.1	-	-	29	58
J700 Pin	TC-4T4708	0.2	195	32	-	-
J700 Retainer	TC-4T4707	0.2	-	-	31	64

All measurements in millimetres.