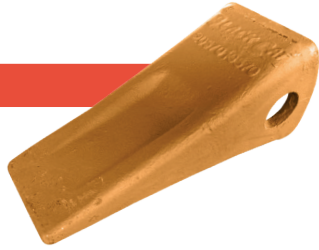


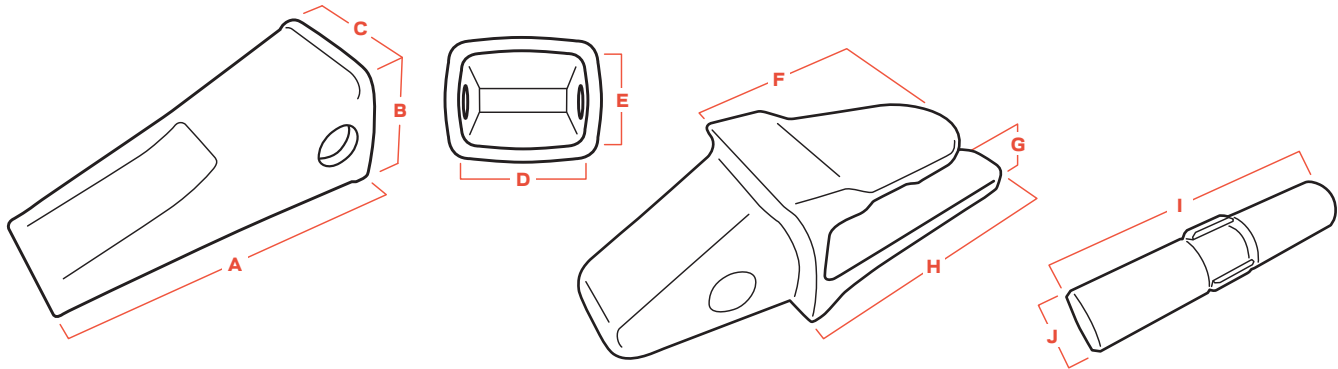
STANDARD

Provides good balance of strength and digging capability. Ideal for most general purpose applications.



ROCK CHISEL

For highly abrasive material. Provides good penetration and wear life.



Teeth

PRODUCT	PART NUMBER	WEIGHT (KG)	EXTERIOR			POCKET	
			A	B	C	D	E
PC200 Standard	TK-2057019570	4.4	219	100	94	72	80
PC300 Standard	TK-2077014151HX	6.6	241	123	117	92	85
PC300 Rock Penetrator (RP2)	TK-4238471140RP2	-	310	122	126	92	85
PC400 Heavy Duty	TK-2087014152H	14.2	274	124	152	110	92
PC600 Standard	TK-2097054210	29.7	349	195	181	133	136

Adapters

PRODUCT	PART NUMBER	WEIGHT (KG)	BEVEL °	STRAPS			NOSE	
				F	G	H	M	N
PC200 Straight Adapter	TK-2059397120	7.2	90	94	38	155	70	80

Pins

PRODUCT	PART NUMBER	WEIGHT (KG)	PIN	
			I	J
PC200 Pin	TK-0924402496P	0.2	100	25
PC300 Pin	TK-1757821740P	0.3	120	25
PC400 Pin	TK-0924403036P	0.7	140	30
PC600 Pin	TK-2097054240P	0.9	167	35

All measurements in millimetres.